

4

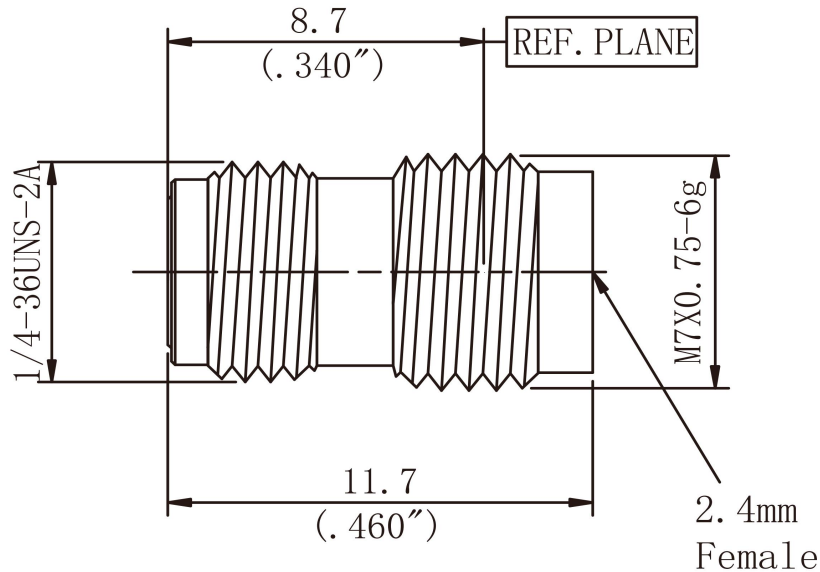
3

2

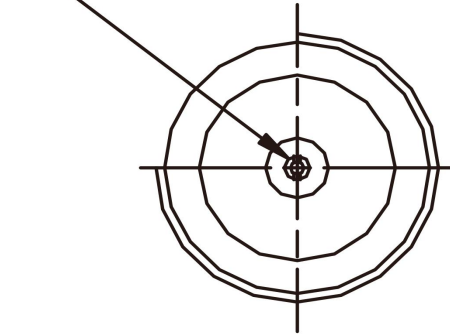
1

THIS DRAWING UNPUBLISHED. RELEASED FOR PUBUCATION

LOC	DIST	REVISIONS				
---	---	P	LTR	DATE	DWN	APVD
			---	---	---	---



SOCKET TO ACCEPT ϕ D PIN
2(.079") MAX DEPTH



- NOTES:
- ELECTRICAL:
 - IMPEDANCE: 50 Ω
 - INSULATION RESISTANCE: 5000M Ω
 - FREQUENCY RANGE: DC-50 GHz
 - DIELECTRIC WITHSTANDING VOLTAGE: 1000V MAX AT SEA LEVEL
 - VSWR: $\leq 1.15:1$
 - INSERTION LOSS: 0.25dB (MAX)

- ENVIRONMENTAL:
 - TEMPERATURE RANGE: -55° to +165°

- MATERIAL AND FINISH:
 - INNER CONDUCTOR MATERIAL: BERYLLIUM BRONZE GOLD PLATING
 - EXTERNAL CONDUCTOR MATERIAL: STAINLESS STEEL PASSIVATED
 - INSULATOR: PTFE

MODEL	Jack diameter ϕ D	MODEL	Jack diameter ϕ D
XQY-24FS30Y01-M	0.30mm/0.012"	XQY-24FS51Y01-M	0.51mm/0.020"
Accept custom sizes and styles			

THIS DRAWING IS A CONTROLLED DOCUMENT		21/10/2021	Shenzhen xinqiyuan Technology Co., Ltd.	
		CHK		
DIMENSIONSMM		TOLERANCES UNLESS OTHERWISE SPECIFIED: ± 0.1	NAME 2.4 mm Female RF Coaxial Connector Detachable	
		Note: Dimensions (mm / [inch])	APVD	SIZE A4 CAGE CODE 01021
			APPLICATION SPEC	
		WEIGHT		

4

3

2

1